

Description:

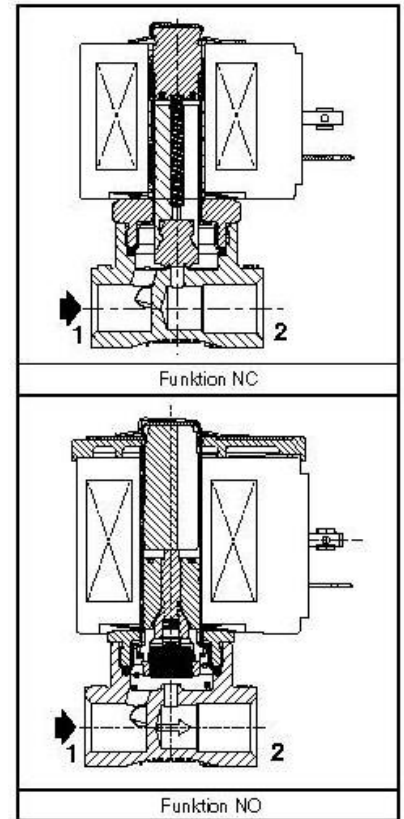
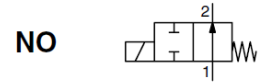
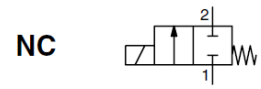
- The valves do not require a minimum working pressure.
- The valves can be mounted in any position with no functional restrictions.
- The high-quality materials which are used for the valves and a series of extensive test guarantee a long service life.
- The solenoid valves are in line with current EU directives.

General:

Medium	Air, neutral gases, water, oil
Pressure difference	See characteristics [1 bar = 100 kPa]
Maximum viscosity	65 cSt (mm ² /s)
Response time	5 to 25 ms
Housing	Brass

Parts in contact with the medium:

Housing	Brass
Guide pipe	Stainless steel
Armature of magnet and counter-armature	Stainless steel
Springs	Stainless steel
Valve seat	Brass
End ring	Copper
Insulation class (coil)	F (AC) or H (DC)
Electrical connection	ISO 4400; EN 175301-803, Type A
Electrical design	IEC 335



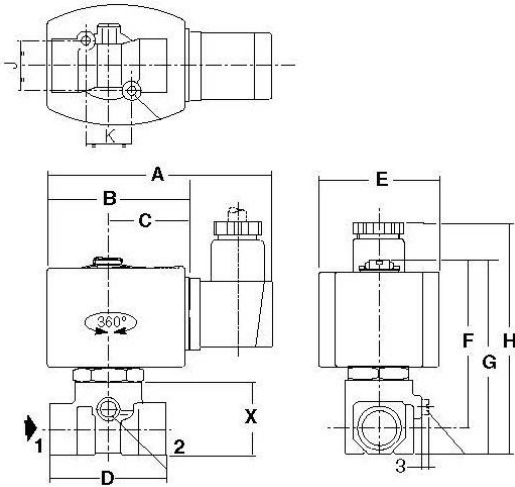
Type 1



Type 2



Type 7



Solenoid valve, normally closed, directly operated, 230 V, 50 to 60 Hz															
Art. No.	Type No.	Thread	DN	A	B	C	D	E	F	G	H	J	K	X	Type
				mm	mm	mm	mm	mm	mm	mm	mm	mm	mm	mm	
102819	MV 1214	G 1/8	3.2	88.0	51.0	30.0	30.0	43.0	62.0	71.0	88.0	17.5	15.0	26.0	1
102820	MV 1224	G 1/8	3.2	88.0	51.0	30.0	30.0	43.0	62.0	71.0	88.0	17.5	15.0	26.0	1
102821	MV 1215	G 1/4	3.2	88.0	51.0	30.0	40.0	43.0	65.0	75.0	92.0	17.5	15.0	30.0	2
102822	MV1225	G 1/4	3.2	88.0	51.0	30.0	40.0	43.0	65.0	75.0	92.0	17.5	15.0	30.0	2

Solenoid valve, normally closed, directly operated, 24 V DC (direct current)															
Art. No.	Type No.	Thread	DN	A	B	C	D	E	F	G	H	J	K	X	Type
				mm	mm	mm	mm	mm	mm	mm	mm	mm	mm	mm	
102823	MV 1214 G	G 1/8	3.2	88.0	51.0	30.0	30.0	43.0	62.0	71.0	88.0	17.5	15.0	26.0	1
102824	MV 1224 G	G 1/8	3.2	88.0	51.0	30.0	30.0	43.0	62.0	71.0	88.0	17.5	15.0	26.0	1
102825	MV 1215 G	G 1/4	3.2	88.0	51.0	30.0	40.0	43.0	65.0	75.0	92.0	17.5	15.0	30.0	2
102826	MV 1225 G	G 1/4	3.2	88.0	51.0	30.0	40.0	43.0	65.0	75.0	92.0	17.5	15.0	30.0	2

Solenoid valve, normally open, directly operated, 230 V, 50 to 60 Hz															
Art. No.	Type No.	Thread	DN	A	B	C	D	E	F	G	H	J	K	X	Type
				mm	mm	mm	mm	mm	mm	mm	mm	mm	mm	mm	
102827	MV 2214	Rp 1/8	2.4	96.0	59.0	34.0	30.0	52.0	67.0	75.0	88.0	17.5	15.0	26.0	7
102828	MV 2234	Rp 1/8	2.4	96.0	59.0	34.0	30.0	52.0	67.0	75.0	88.0	17.5	15.0	26.0	1
102829	MV 2215	G 1/4	3.2	96.0	59.0	34.0	40.0	52.0	69.0	78.0	96.0	22.0	22.0	30.0	2
102830	MV 2235	G 1/4	3.2	96.0	59.0	34.0	40.0	52.0	69.0	78.0	96.0	22.0	22.0	30.0	2

Solenoid valve normally open, directly operated, 24 V DC (direct current)															
Art. No.	Type No.	Thread	DN	A	B	C	D	E	F	G	H	J	K	X	Type
				mm	mm	mm	mm	mm	mm	mm	mm	mm	mm	mm	
102831	MV 2214 G	Rp 1/8	2.4	96.0	59.0	34.0	30.0	52.0	67.0	75.0	88.0	17.5	15.0	26.0	7
102832	MV 2234 G	G 1/4	3.2	96.0	59.0	34.0	40.0	52.0	69.0	78.0	96.0	22.0	22.0	30.0	2

Solenoid valve, normally closed, directly operated, 230 V, 50 to 60 Hz

Art. No.	Type No.	Thread	Sealant	Operating pressure		Medium temperature		Insulation class
				min. / max.	bar	min. / max.	°C (1)	
102819	MV 1214	G 1/8	NBR	0 / 12		-25 / 80		F
102820	MV 1224	G 1/8	FPM	0 / 12		-15 / 100		F
102821	MV 1215	G 1/4	NBR	0 / 12		-25 / 80		F
102822	MV1225	G 1/4	FPM	0 / 12		-15 / 100		F

Solenoid valve, normally closed, directly operated, 24 V DC (direct current)

Art. No.	Type No.	Thread	Sealant	Operating pressure		Medium temperature		Insulation class
				min. / max.	bar	min. / max.	°C (1)	
102823	MV 1214 G	G 1/8	NBR	0 / 8		-25 / 80		F
102824	MV 1224 G	G 1/8	FPM	0 / 8		-15 / 120		H
102825	MV 1215 G	G 1/4	NBR	0 / 8		-25 / 80		F
102826	MV 1225 G	G 1/4	FPM	0 / 8		-15 / 120		H

Solenoid valve, normally open, directly operated, 230 V, 50 to 60 Hz

Art. No.	Type No.	Thread	Sealant	Operating pressure		Medium temperature		Insulation class
				min. / max.	bar	min. / max.	°C (1)	
102827	MV 2214	Rp 1/8	NBR	0 / 18		-25 / 80		F
102828	MV 2234	Rp 1/8	FPM	0 / 18		-15 / 100		F
102829	MV 2215	G 1/4	NBR	0 / 11		-25 / 80		F
102830	MV 2235	G 1/4	FPM	0 / 11		-15 / 100		F

Solenoid valve normally open, directly operated, 24 V DC (direct current)

Art. No.	Type No.	Thread	Sealant	Operating pressure		Medium temperature		Insulation class
				min. / max.	bar	min. / max.	°C (1)	
102831	MV 2214 G	Rp 1/8	NBR	0 / 11		-25 / 80		F
102832	MV 2234 G	G 1/4	NBR	0 / 6.5		-25 / 80		F

(1) At temperatures below zero the medium may freeze and damage the valve.

Characteristics valve body:

Conne- tion	Nom. width	Flow coefficient (Kv)		Working pressure difference (bar)							Coil Type No..	Solenoid valve Art. No.	
				min.	max.								
					Air/gas		Water		Oil<65cSt				
(mm)	(m ³ /h)	(l/min)		~	=	~	=	~	=		~	=	
G 1/8	3.2	0.30	5.0	0	12	8	12	6.5	8	6	400-238-xxx	102819 102820	102823 102824
Rp 1/8	2.4	0.18	3.0	0	18	11	15	9	12	6.5	400-238-xxx	102827 102828	102831
G 1/4	3.2	0.30	5.0	0	12	8	12	6.5	6	5.5	400-238-xxx	102821 102822	102825 102826
G 1/4	3.2	0.30	5.0	0	11	6.5	10	6.5	8.5	4.5	400-238-xxx	102829 102830	103832

Electrical data:

Coil (2) DC (=) 24V - 12V → Please use the suffix »G« to order **DC valves**
AC (~) 24V/50Hz - 110V/50Hz - 230V/50Hz

(1) At temperatures below zero the medium may freeze and damage the valve.
(2) Other voltages and 60 Hz frequency on request.

Coil Type No.	Power				Ambient temperature (1)	Max. perm. operating temperature	Max. perm. temperature rise	Insulation class	Degree of protection (with socket connector fitted)
	Pickup ~	Holding ~		hot / cold =					
	(VA)	(VA)	(W)	(W)					
400-238-xxx	30	16	8.1	7.7 / 10.6	-25 to 55 (NBR)	135	80	F	IP 65
	50	25	10.1	8.5 / 11.6	-15 to 55 (FPM)				

* Coil temperature after energising

** Additional effect of the medium temperature within the value range stated in the catalogue

*** At 100 % ED

Special designs (on request)

- Seals and valve disc made of:
EPDM - Ethylen-Propylen (0 °C to 100 °C)
PTFE (-15 °C to 100 °C (F)) / (-15 °C to 120 °C (H))
CR – Chloropren (0°C to 180 °C)
- Heavy-duty coil
- Assembly clamp for valves with a brass body
- Manual override
- Connector socket with LED and suppressor circuit

Installation:

- Any mounting position
- Valve bodies supplied with two mounting holes
- Threaded connections: G 1/4 acc. to DIN EN ISO 228-1 + ISO 7/1; G 1/8 acc. to ISO 228/1
- Other threaded connections on request
- Assembly and servicing instructions enclosed with each valve